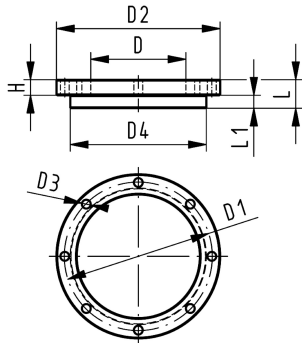




Blindflansch Set PP-H Kombi-Dichtfläche flach und gerillt metrisch

Ausführung:

- d63 - d315: Losflansch PP-V mit Blindscheibe PP-H
- d355 - d630: Losflansch PP/Stahl mit Blindscheibe PP-H
- Anschlussmasse nach ISO 7005, EN 1092, DIN 2501
- **Lochkreis PN 10**



AL: Anzahl der Bohrungen

L: Länge der Blindscheibe

| d [mm] | DN [mm] | PN [bar] | Code code | SP | weight [kg] |
|-----------|------------|-------------|--------------|----|----------------|
| 63 | 50 | 10 | 727 700 611 | 1 | 0,531 |
| 75 | 65 | 10 | 727 700 612 | 1 | 0,901 |
| 90 | 80 | 10 | 727 700 613 | 1 | 1,054 |
| 110 | 100 | 10 | 727 700 614 | 1 | 1,199 |
| 125 | 100 | 10 | 727 700 615 | 1 | 1,201 |
| 140 | 125 | 10 | 727 700 616 | 1 | 1,748 |
| 160 | 150 | 10 | 727 700 617 | 1 | 2,312 |
| 180 | 150 | 10 | 727 700 618 | 1 | 2,443 |
| 200 | 200 | 10 | 727 700 619 | 1 | 3,961 |
| 225 | 200 | 10 | 727 700 620 | 1 | 3,956 |
| 250 | 250 | 10 | 727 700 621 | 1 | 5,425 |
| 280 | 250 | 10 | 727 700 622 | 1 | 19,781 |
| 315 | 300 | 10 | 727 700 623 | 1 | 8,602 |
| 355 | 350 | 10 | 727 700 624 | 1 | 23,184 |
| 400 | 400 | 10 | 727 700 625 | 1 | 30,304 |
| 450 | 500 | 10 | 727 700 626 | 1 | 43,485 |
| 500 | 500 | 10 | 727 700 627 | 1 | 46,203 |
| 560 | 600 | 10 | 727 700 628 | 1 | 65,823 |
| 630 | 600 | 10 | 727 700 629 | 1 | 67,056 |

| d [mm] | D4 [mm] | D3 [mm] | D2 [mm] | D1 [mm] | L [mm] | H [mm] | D [mm] | AL | L1 [mm] |
|-----------|------------|------------|------------|------------|-----------|-----------|-----------|----|------------|
| 63 | 102 | 18 | 165 | 125 | 30 | 24 | 75 | 4 | 14 |
| 75 | 122 | 18 | 185 | 145 | 30 | 26 | 89 | 4 | 16 |
| 90 | 138 | 18 | 200 | 160 | 30 | 27 | 105 | 8 | 17 |
| 110 | 158 | 18 | 220 | 180 | 30 | 28 | 125 | 8 | 18 |
| 125 | 158 | 18 | 220 | 180 | 35 | 28 | 132 | 8 | 25 |
| 140 | 188 | 18 | 250 | 210 | 40 | 30 | 155 | 8 | 25 |
| 160 | 212 | 22 | 285 | 240 | 40 | 32 | 175 | 8 | 25 |
| 180 | 212 | 22 | 285 | 240 | 45 | 32 | 180 | 8 | 30 |
| 200 | 268 | 22 | 340 | 295 | 50 | 34 | 232 | 8 | 32 |
| 225 | 268 | 22 | 340 | 295 | 50 | 34 | 235 | 8 | 32 |
| 250 | 320 | 22 | 395 | 350 | 55 | 38 | 285 | 12 | 35 |
| 280 | 320 | 22 | 395 | 350 | 60 | 38 | 291 | 12 | 35 |
| 315 | 370 | 22 | 445 | 400 | 65 | 42 | 335 | 12 | 35 |
| 355 | 430 | 22 | 515 | 460 | 70 | 40 | 373 | 16 | 40 |
| 400 | 482 | 26 | 574 | 515 | 75 | 40 | 427 | 16 | 46 |
| 450 | 585 | 26 | 684 | 620 | 80 | 49 | 510 | 20 | 60 |
| 500 | 585 | 26 | 684 | 620 | 90 | 49 | 530 | 20 | 60 |
| 560 | 685 | 30 | 796 | 725 | 100 | 58 | 615 | 20 | 60 |
| 630 | 685 | 30 | 796 | 725 | 110 | 68 | 642 | 20 | 60 |

The technical data are not binding and not expressly warranted characteristics of the goods. They are subject to change. Our General Conditions of Sale apply.

Georg Fischer Piping Systems Ltd, Postfach, CH-8201 Schaffhausen/Switzerland Phone +41 -(0)52-631 1111 e-mail: info.ps@georgfischer.com Internet: <http://www.piping.georgfischer.com>